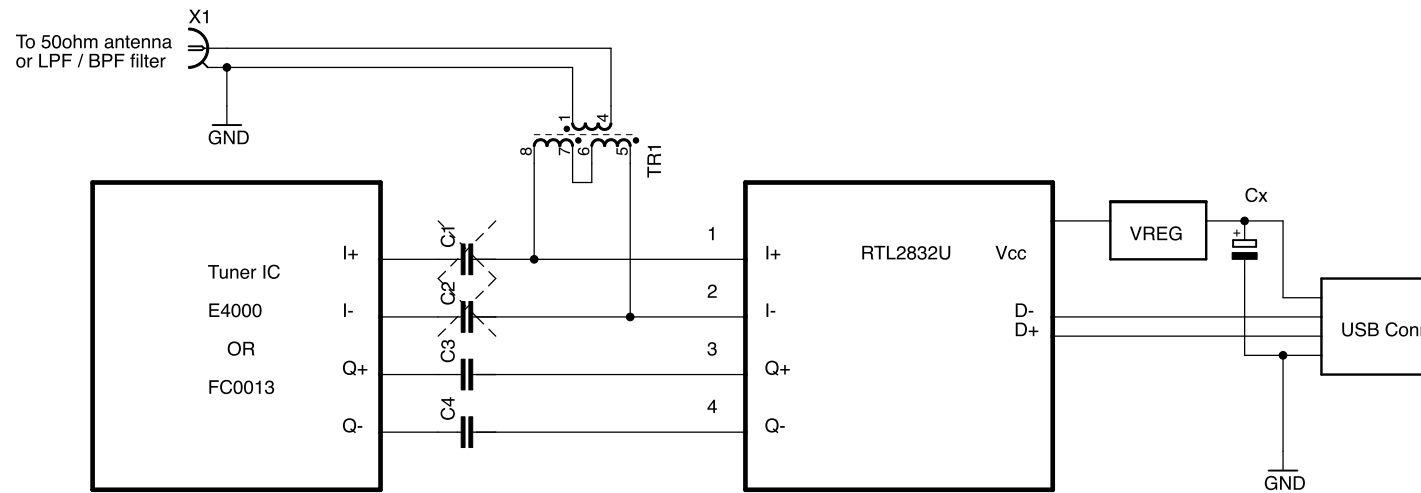


## DVB-T USB dongle mods for HF 0 - 28 MHz reception by YU3MA



**NOTES:**

TR1 - Wideband RF transformer 1:4 (50ohm : 200ohm)  
 Use Mini Circuits T1-6T-KK81 for best performance or build width Amidon FT37-43 ferrite core, 5 turns trifilar winding.  
 Other high frequency cores can be used (example, from LAN magnetics). Wire diameter is not important.

C1, C2 - Remove (unsolder) from PCB

Cx - Add Tantalum capacitor 1uF / 16V

X1 - 50ohm RF connector  
 Low pass filter (LPF) for 30MHz or band specific filter (BPF) is strongly advised before connecting to HF antenna.

<b>DVB-T USB dongle mods for HF 0 - 28MHz reception</b>	
<a href="http://mikikg.wordpress.com">http://mikikg.wordpress.com</a>	
TITLE: rtl2832u-dc-mods	
Document Number:	REU: 1
Date: 8/22/12 12:41 AM	Sheet: 1/1